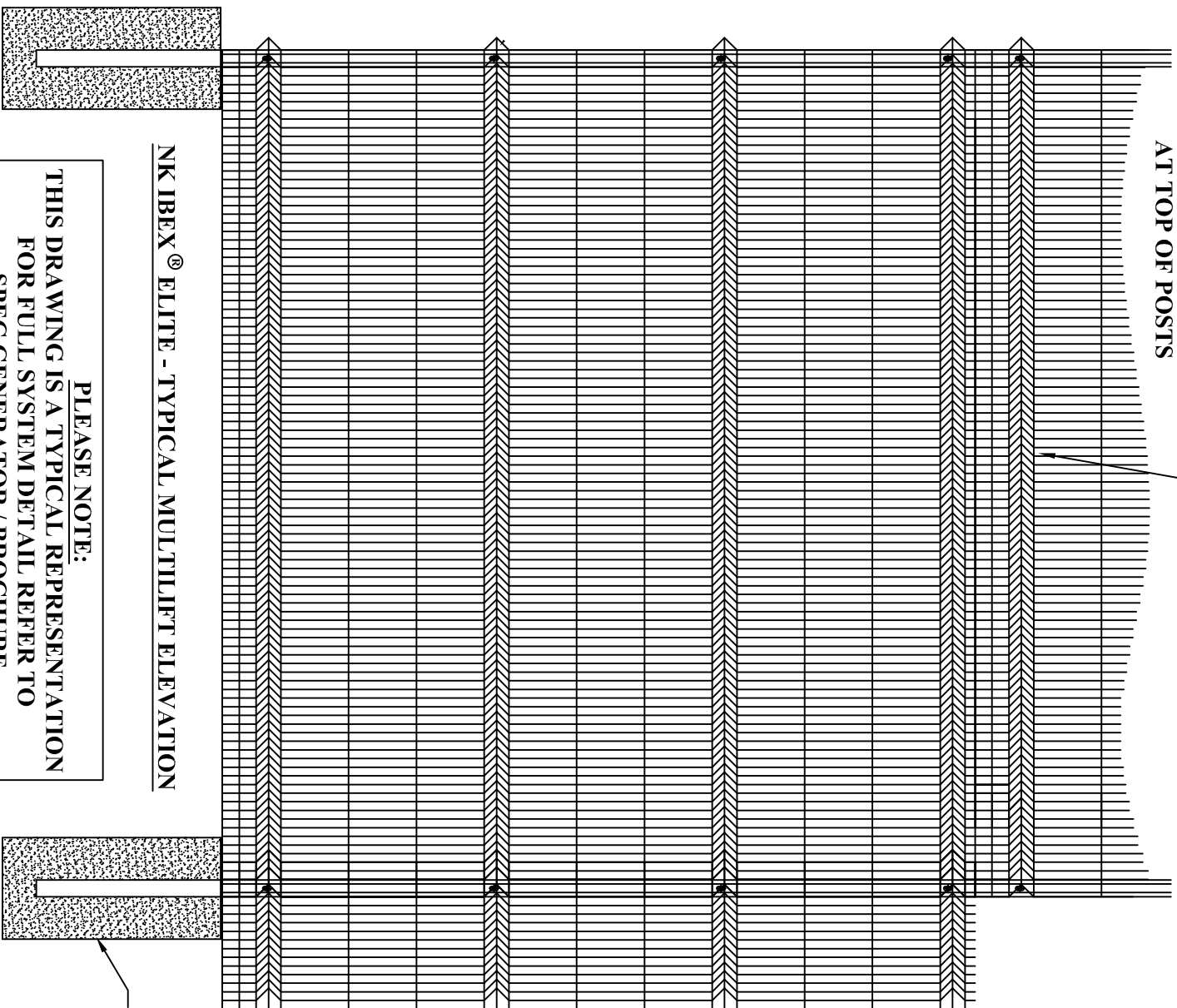


PVC INSERT CAP
AT TOP OF POSTS

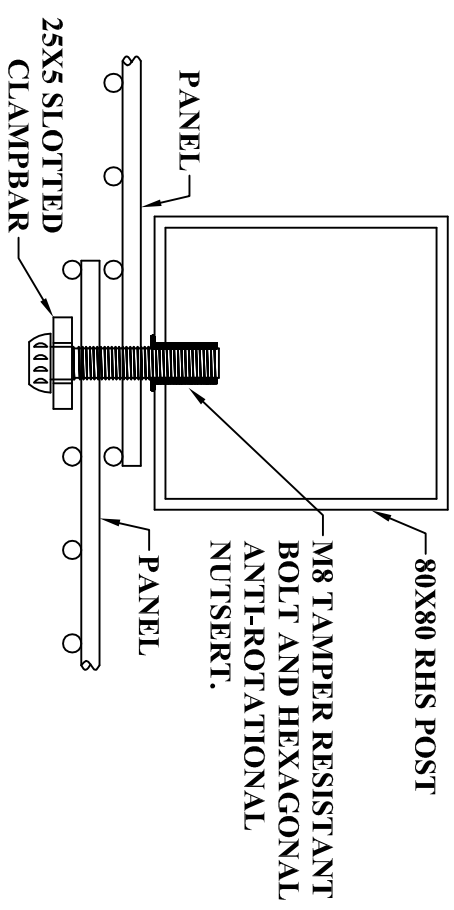
V-BEAM REINFORCING PROFILE



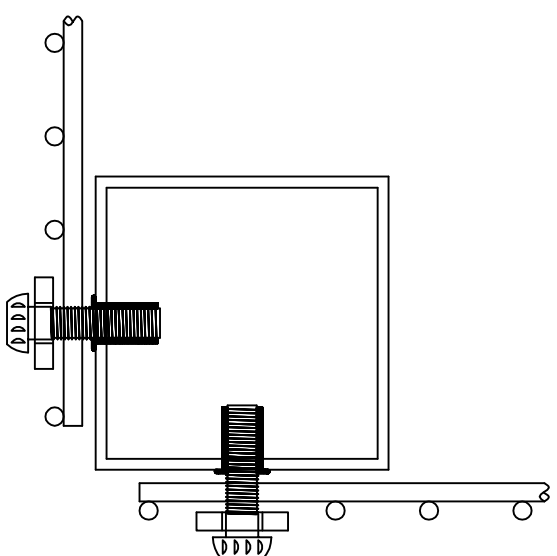
NK IBEX® ELITE - TYPICAL MULTILIFT ELEVATION

PLEASE NOTE:
THIS DRAWING IS A TYPICAL REPRESENTATION
FOR FULL SYSTEM DETAIL REFER TO
SPEC GENERATOR / BROCHURE

CONCRETE
BASES



STANDARD INTERMEDIATE POST CONFIGURATION



STANDARD CORNER POST CONFIGURATION

DWG No - NK / IBX / E / 2

THIS DRAWING IS A TYPICAL REPRESENTATION AND MUST NOT BE SCALED.

NK FENCING

Bestest office
40 Talbot Road
Carrickbegus
Co. Antrim
BT38 7NU
t: 028 9395 1172
f: 028 9396 4386
e: mail@nkfencing.com
w: www.nkfencing.com

Dublin office
Beckwithon
Leixlip
Co. Dublin
t: 01 6289000
f: 01 6245465
e: mail@nkfencing.ie
w: www.nkfencing.com

© THIS IS THE PROPERTY OF THE NK GROUP AND MUST NOT BE COPIED