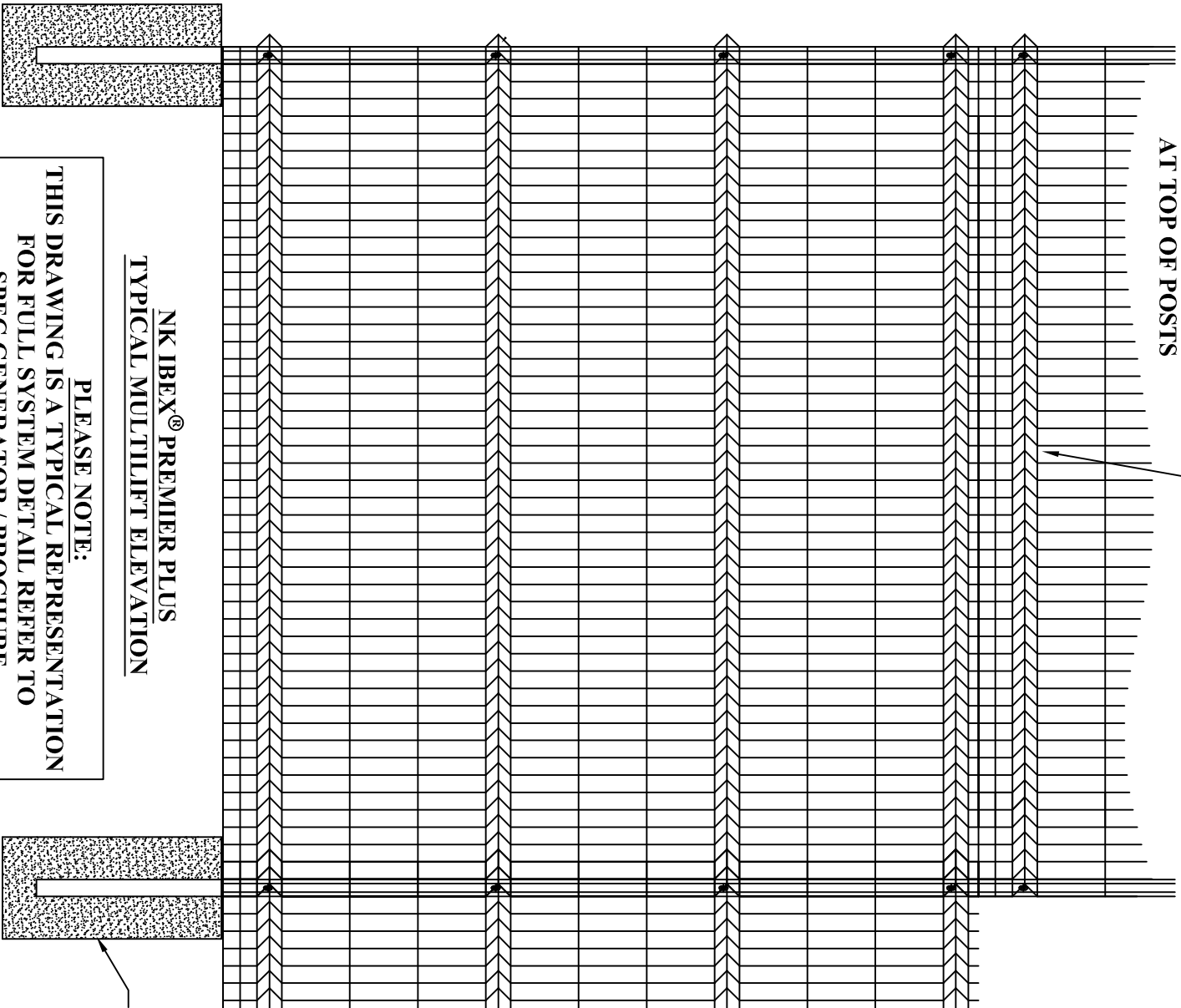


PVC INSERT CAP  
AT TOP OF POSTS

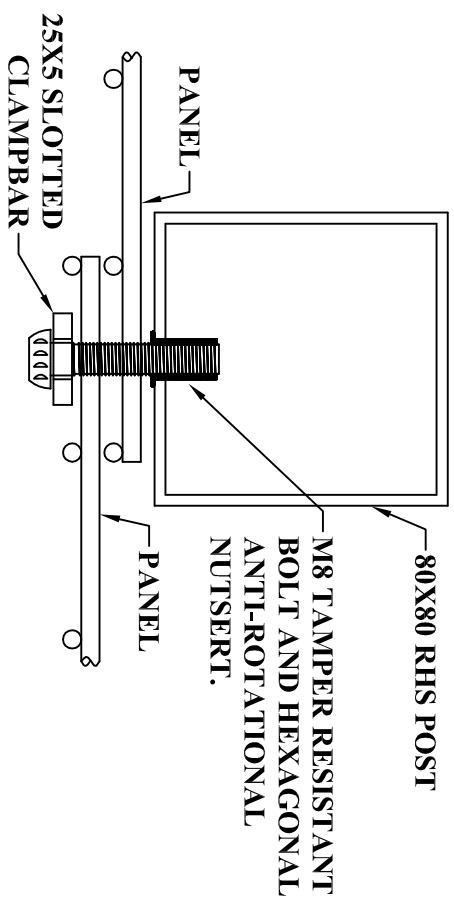
V-BEAM REINFORCING PROFILE



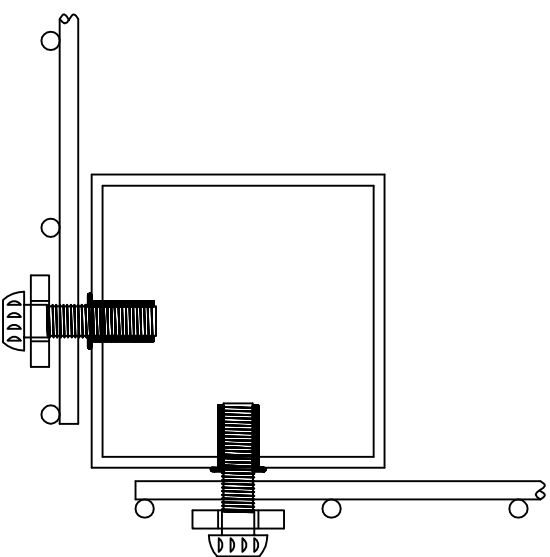
**NK IBEX® PREMIER PLUS**  
TYPICAL MULTILIFT ELEVATION

**PLEASE NOTE:**  
THIS DRAWING IS A TYPICAL REPRESENTATION  
FOR FULL SYSTEM DETAIL REFER TO  
SPEC GENERATOR / BROCHURE

CONCRETE  
BASES



STANDARD INTERMEDIATE POST CONFIGURATION



STANDARD CORNER POST CONFIGURATION

**DWG No - NK / IBX / PP / 2**

THIS DRAWING IS A TYPICAL REPRESENTATION AND MUST NOT BE SCALED.

**Ballinacorney office**  
40 Tralee Road  
Carrickbegs  
Co. Antrim  
BT38 7NU  
t: 028 9395 1172  
f: 028 9395 4386  
e: [mail@nkfencing.com](mailto:mail@nkfencing.com)  
w: [www.nkfencing.com](http://www.nkfencing.com)

**Dublin office**  
Beechwood  
Leixlip  
Co. Dublin  
Ireland  
t: 01 6289000  
f: 01 6245465  
e: [mail@nkfencing.ie](mailto:mail@nkfencing.ie)  
w: [www.nkfencing.com](http://www.nkfencing.com)

**NK FENCING**

© THIS IS THE PROPERTY OF THE NK GROUP AND MUST NOT BE COPIED